

APPLICATION:

JOB NAME:

QUANTITY: ITEM NO.

PRODUCT NAME:
PRE-RINSE SPRING 4" C/C BACKSPLASH WITH WALL BRACKET & ADD-ON FAUCET

SPECIAL CONFIGURATION
 CHECK BASE MODEL AND OPTIONS

MODEL:

34495 WITH 6" SWING SPOUT

34509 WITH 8" SWING SPOUT

34517 WITH 10" SWING SPOUT

34525 WITH 12" SWING SPOUT

34533 WITH 14" SWING SPOUT

34541 WITH 16" SWING SPOUT

OPTIONS OR MODIFICATIONS:

SUPPLY LINES (24" OR 36") CIRCLE LENGTH

ADD-ON FAUCET (6", 8", 10", 12", 14", 16") CIRCLE

IN-LINE DUAL CHECK VALVE

BRUSH

VANDAL RESISTANT KIT

HANDLES (CROSS OR WRIST) CIRCLE STYLE

OTHER _____

FEATURES:

MAIN CONTROL VALVE

- * 4" C/C BACKSPLASH
- * INTERNAL SPRING LOADED CHECK VALVES
- * SWIVELLING SEAT DISKS
- * HOT SIDE STEM - LEFT HAND CHECK
- * COLD SIDE STEM - RIGHT HAND CHECK
- * STAINLESS STEEL SEATS, SEAT SCREWS AND HANDLE SCREWS

ADD-ON CONTROL VALVE

- * STEM - RIGHT HAND
- * HOT INDEX BUTTON
- * SWIVELLING SEAT DISKS
- * STAINLESS STEEL SEATS, SEAT SCREWS AND HANDLE SCREWS

HOSE

- * 36" LENGTH
- * STAINLESS STEEL END FITTINGS
- * STAINLESS STEEL EXTERNAL JACKET
- * 3-PLY FIBER REINFORCED INTERNAL RUBBER HOSE
- * REPAIRABLE IN FIELD WITH SIMPLE TOOLS

ULTRA SPRAY VALVE

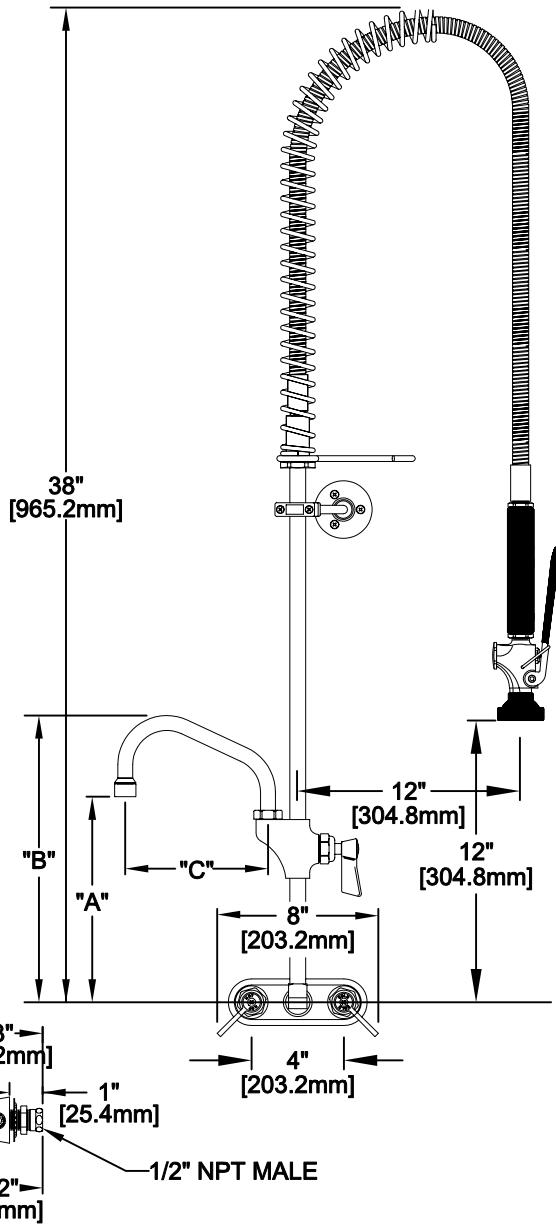
- * LOWEST ENERGY USER - 1.15 GPM @ 60 PSI
- * CLEANS FASTER - TEST PROVEN
- * ENGINEERED TO LAST - NO 'O' RINGS TO LEAK
- * INTERCHANGEABLE - FITS ALL BRANDS

WALL BRACKET

- * ADJUSTS FROM 2" TO 12"

SYSTEM LIMITS

- * TEMP: 40°F MIN. TO 140°F MAX. STATIC
- * PRESSURE 200 PSI MAX. STATIC
- * SHIPPING WEIGHT: 14.0 LBS



ROUGH-IN	MODEL	DIM "A"	DIM "B"	DIM "C"
	34495	8-3/4" [221.3mm]	12-3/8" [313.3mm]	6" [152.4mm]
	34509	9" [227.6mm]	12-7/8" [326.0mm]	8" [203.2mm]
	34517	9-5/8" [243.5mm]	13-3/8" [340.3mm]	10" [254.0mm]
	34525	10-1/4" [259.4mm]	13-7/8" [351.4mm]	12" [304.8mm]
	34533	10-5/8" [275.0mm]	14-3/4" [373.7mm]	14" [355.6mm]
	34541	11-1/2" [292.1mm]	15-3/8" [389.5mm]	16" [406.4mm]