

APPLICATION:

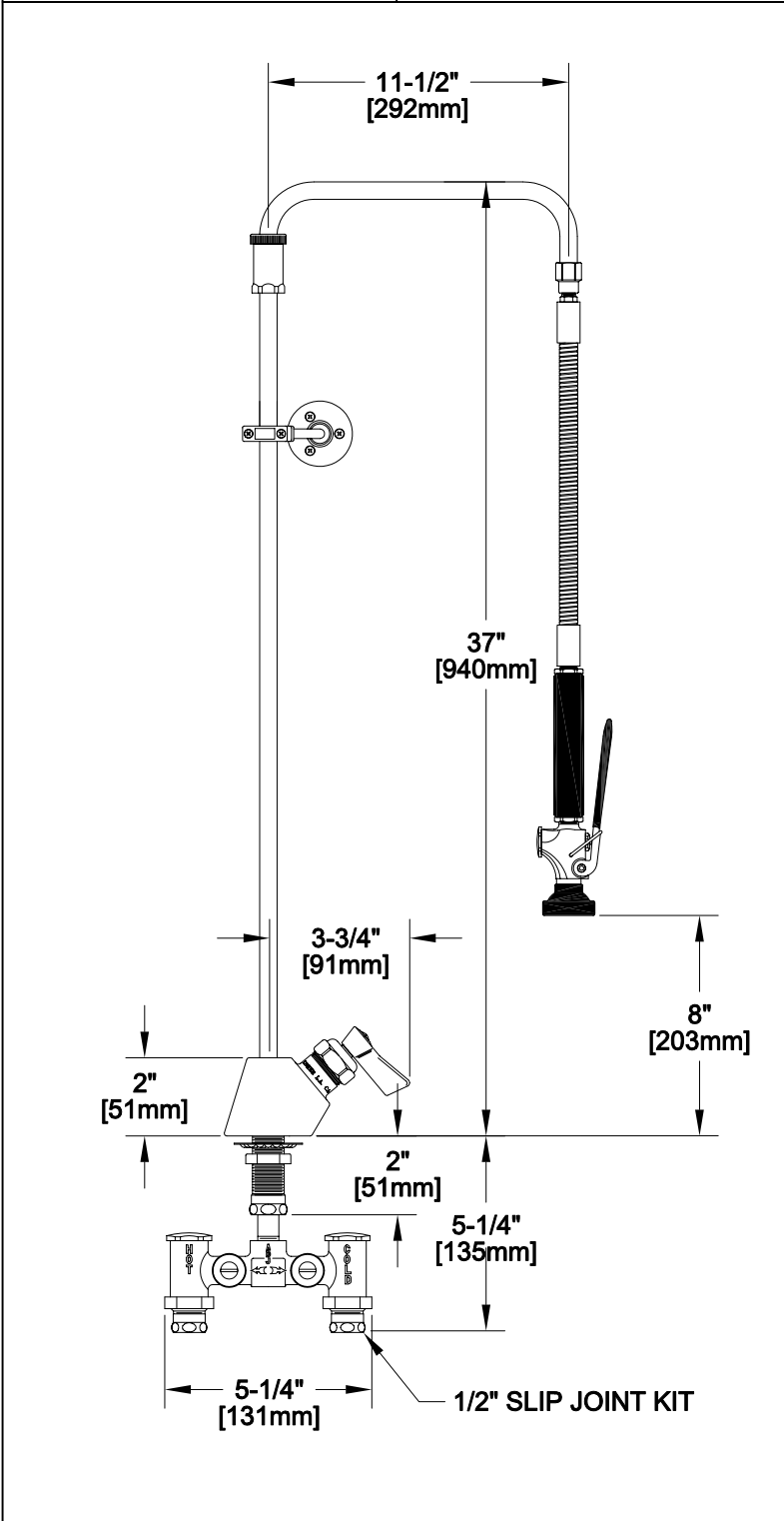
JOB NAME:

QUANTITY:                      ITEM NO.

PRODUCT NAME:  
 PRE-RINSE, SWIVEL STYLE,  
 SINGLE DECK MOUNT

SPECIAL CONFIGURATION  
 CHECK BASE MODEL AND OPTIONS

MODEL:  
 2011            ULTRA SPRAY VALVE NO WALL BRACKET  
 2011-WB       ULTRA SPRAY VALVE W/ WALL BRACKET



OPTIONS OR MODIFICATIONS:

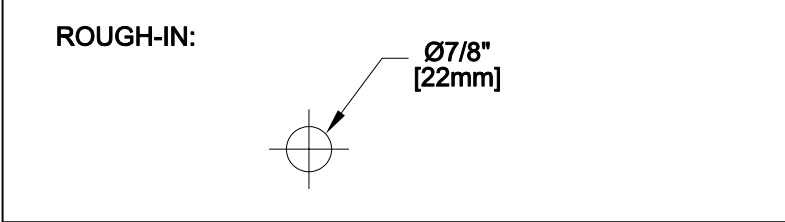
SUPPLY LINES (24" OR 36") CIRCLE LENGTH  
 ADD-ON FAUCET (6", 8", 10", 12", 14", 16") CIRCLE  
 IN-LINE DUAL CHECK VALVE  
 PIPE HOOK  
 BRUSH  
 HANDLES (CROSS OR WRIST) CIRCLE STYLE  
 VANDAL RESISTANT KIT  
 OTHER \_\_\_\_\_

- FEATURES**
- CONTROL VALVE**
- \* SINGLE DECK MOUNT
  - \* TEMPERATURE CONTROL VALVE WITH INTERNAL SPRING LOADED CHECK VALVES
  - \* STEM - LEFT HAND
  - \* HOT AND COLD INDEX BUTTONS
  - \* SWIVELLING SEAT DISK
  - \* STAINLESS STEEL SEAT
  - \* STAINLESS STEEL SEAT SCREW
  - \* STAINLESS STEEL HANDLE SCREW
- HOSE**
- \* 15-1/2" LENGTH
  - \* STAINLESS STEEL END FITTINGS
  - \* STAINLESS STEEL EXTERNAL JACKET
  - \* 3-PLY FIBER REINFORCED INTERNAL RUBBER HOSE
  - \* REPAIRABLE IN-FIELD WITH SIMPLE TOOLS

- ULTRA SPRAY VALVE**
- \* LOWEST ENERGY USER - 1.15 GPM @ 60 PSI
  - \* CLEANS FASTER - TEST PROVEN
  - \* ENGINEERED TO LAST - NO 'O' RINGS TO LEAK
  - \* INTERCHANGEABLE - FITS ALL BRANDS

- SYSTEM LIMITS**
- \* TEMP: 40°F MIN. TO 140°F MAX.
  - \* PRESSURE: 200 PSI MAX. STATIC

- SHIPPING WEIGHT**
- \* 12.0 LBS



**FISHER**

FISHER MANUFACTURING COMPANY  
 TOLL FREE: 800-421-6162 - FAX: 800-832-8238  
 information@fisher-mfg.com - www.fisher-mfg.com