

APPLICATION:

PRODUCT NAME:
GLASS FILLER VALVE

JOB NAME:

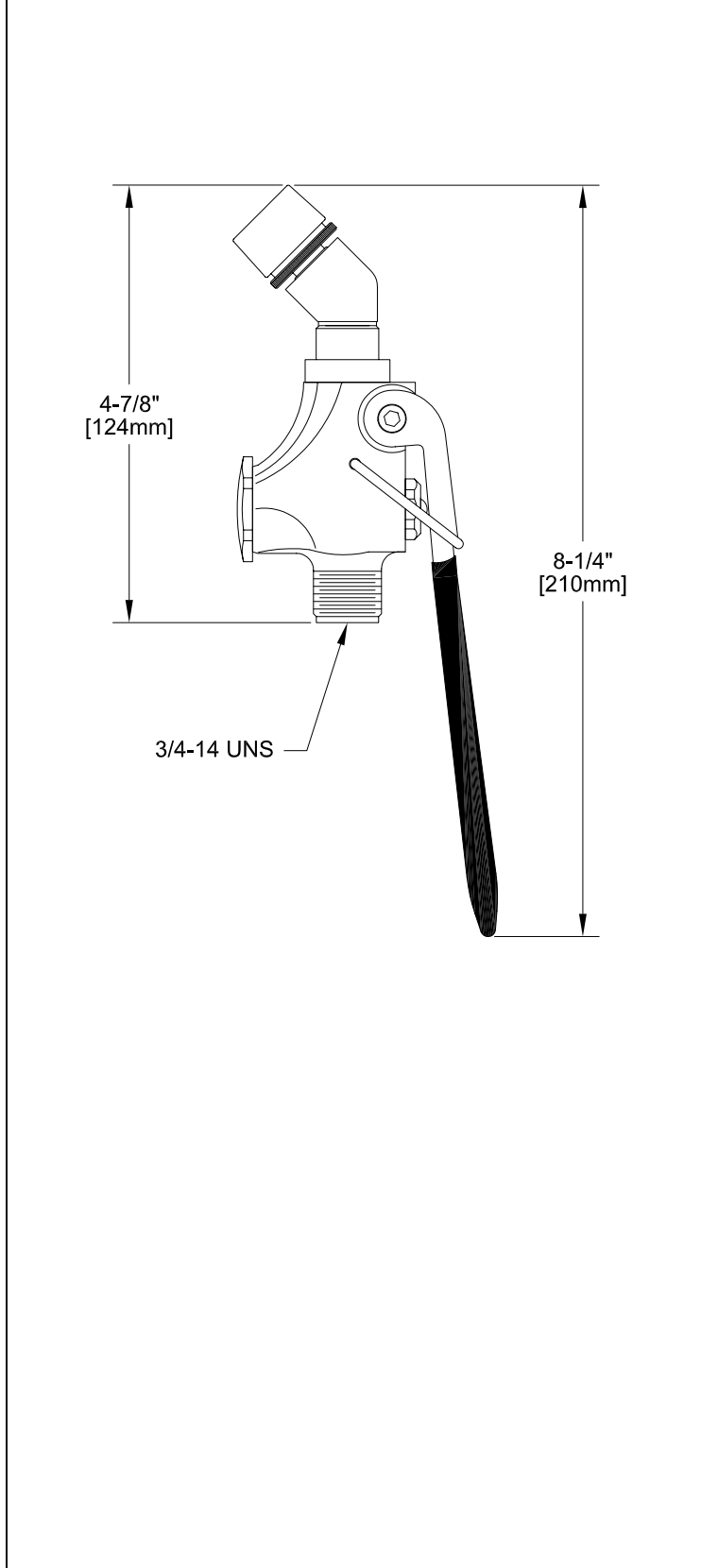
SPECIAL CONFIGURATION
 CHECK BASE MODEL AND OPTIONS

QUANTITY:

ITEM NO.

MODEL:
■ 10820

OPTIONS OR MODIFICATIONS:
 OTHER _____



FEATURES

GLASS FILLER VALVE

- * GLASS FILLER NOZZLE THREADED INTO BODY
- * BRONZE HANDLE - NOT PLASTIC - MEANS FULL "ON"
- * BUILT-IN SPRAY HANDLE CLIP
- * FITS ALL BRANDS

SYSTEM LIMITS

- * TEMP: 40°F MIN. TO 140°F MAX.
- * PRESSURE: 200 PSI MAX. STATIC

SHIPPING WEIGHT

- * 1.25 LBS

ANSI/A112.18.1M

FISHER
 FISHER MANUFACTURING COMPANY
 TOLL FREE: 800-421-6162 - FAX: 800-832-8238
 information@fisher-mfg.com - www.fisher-mfg.com