

APPLICATION:

PRODUCT NAME:
SINGLE DECK DUAL CONTROL FAUCET

JOB NAME:

_____ SPECIAL CONFIGURATION
(CHECK BASE MODEL AND OPTIONS)

QUANTITY:

ITEM NO.:

MODEL:

- 3115 W/ 12" SWIVEL GOOSENECK SPOUT
- 1872 W/ 6" SWIVEL GOOSENECK SPOUT

OPTIONS OR MODIFICATIONS:

- SUPPLY LINES (24" OR 36") CIRCLE LENGTH
- VANDAL RESISTANT KIT
- HANDLES (CROSS OR WRIST) CIRCLE STYLE
- OTHER _____

FEATURES:

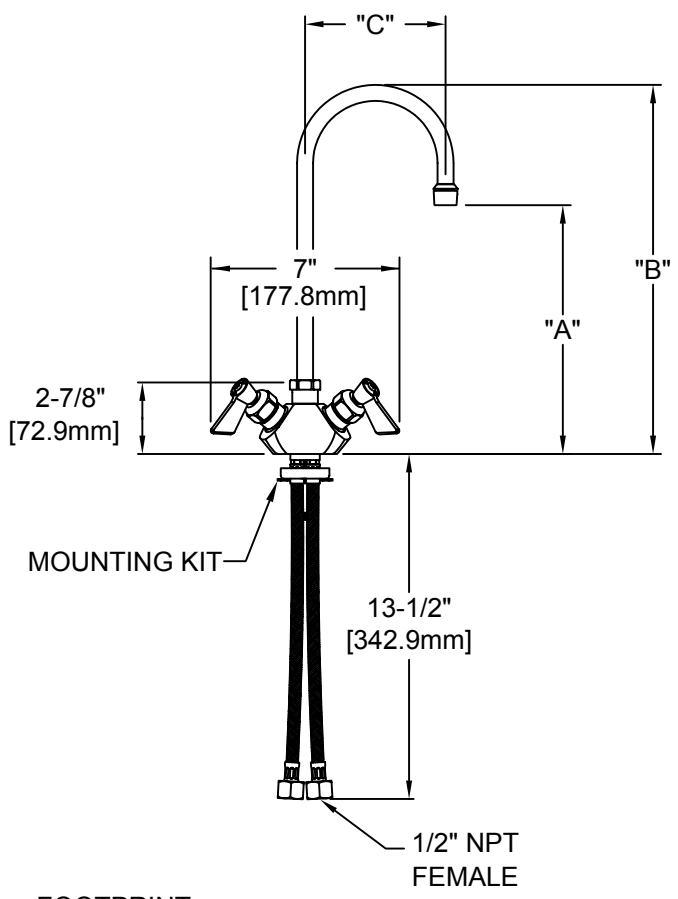
- * SINGLE DECK, DUAL CONTROL
- * SWIVELING SEAT DISKS
- * HOT SIDE STEM - RIGHT HAND
- * COLD SIDE STEM - LEFT HAND
- * STAINLESS STEEL SEATS
- * STAINLESS STEEL SEAT SCREWS
- * STAINLESS STEEL HANDLE SCREWS
- * FLEXIBLE INLET HOSES

SYSTEM LIMITS

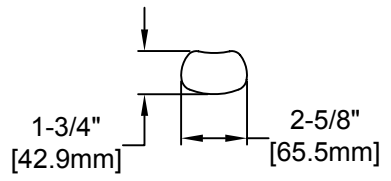
- * TEMP: 40°F MIN. TO 140°F MAX.
- * PRESSURE 200 PSI MAX. STATIC
- * 2.20 GPM AT 80 PSI

SHIPPING WEIGHT

- * 4.75 LBS

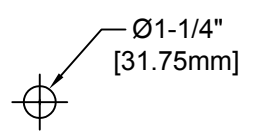


FOOTPRINT:



MODEL	DIM "A"	DIM "B"	DIM "C"
3115	10" [254.0mm]	14" [355.6mm]	5-1/2" [139.7mm]
1872	6" [152.4mm]	9-1/2" [241.3mm]	3-1/2" [88.9mm]

ROUGH-IN:



ANSI/A112.18.1M

FISHER

FISHER MANUFACTURING COMPANY
TOLL FREE: 800-421-6162 - FAX: 800-832-8238
information@fisher-mfg.com - www.fisher-mfg.com