

APPLICATION:

JOB NAME:

QUANTITY: **ITEM NO.:**

PRODUCT NAME:
CLOSED REEL RINSE WALL MOUNTED WITH SPRAY VALVE

_____ SPECIAL CONFIGURATION
 (CHECK BASE MODEL AND OPTIONS)

MODEL:

2985

OPTIONS OR MODIFICATIONS:

BRUSH

OTHER _____

FEATURES:

REEL

- * CLOSED DESIGN
- * SELF-LOCKING
- * STAINLESS STEEL COVER
- * WALL MOUNTED

HOSE

- * 30' LENGTH REEL HOSE
- * 3-PLY FIBER REINFORCED
- * 3/8" OR 1/2" FEMALE NPT INLET
- * 18" LENGTH INLET HOSE
- * ADJUSTABLE BALL STOP

STANDARD PRO SPRAY VALVE

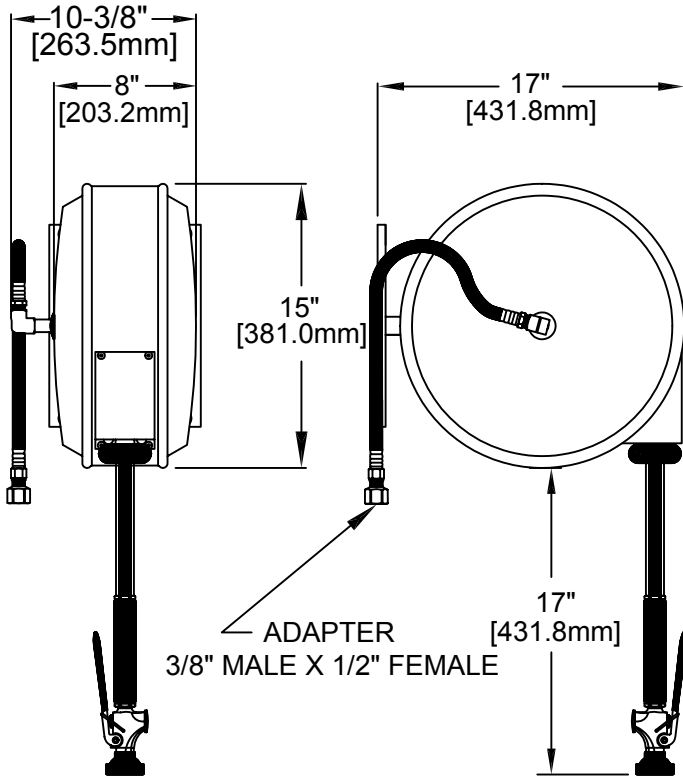
- * SOLID BRASS SHOWER HEAD - NO "O" RINGS TO LEAK
- * BRONZE HANDLE - NOT PLASTIC - MEANS FULL "ON"
- * FITS ALL BRANDS
- * 2.65GPM AT 80 PSI
- * SHOWER SPRAY PATTERN

SYSTEM LIMITS

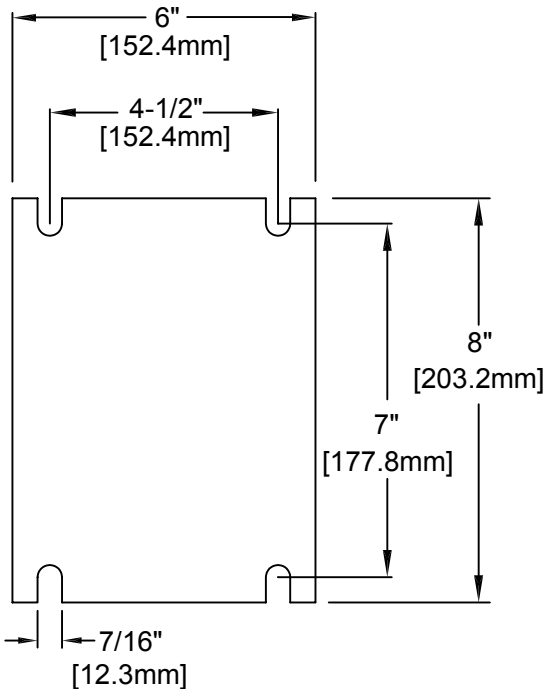
- * TEMP: 40°F MIN. TO 140°F MAX. STATIC
- * PRESSURE 200 PSI MAX. STATIC

SHIPPING WEIGHT

- * 35.0 LBS



ROUGH-IN: SEE MOUNTING PLATE BELOW



ANSI/A112.18.1M

FISHER

FISHER MANUFACTURING COMPANY
 TOLL FREE: 800-421-6162 - FAX: 800-832-8238
 information@fisher-mfg.com - www.fisher-mfg.com