

APPLICATION:

JOB NAME:

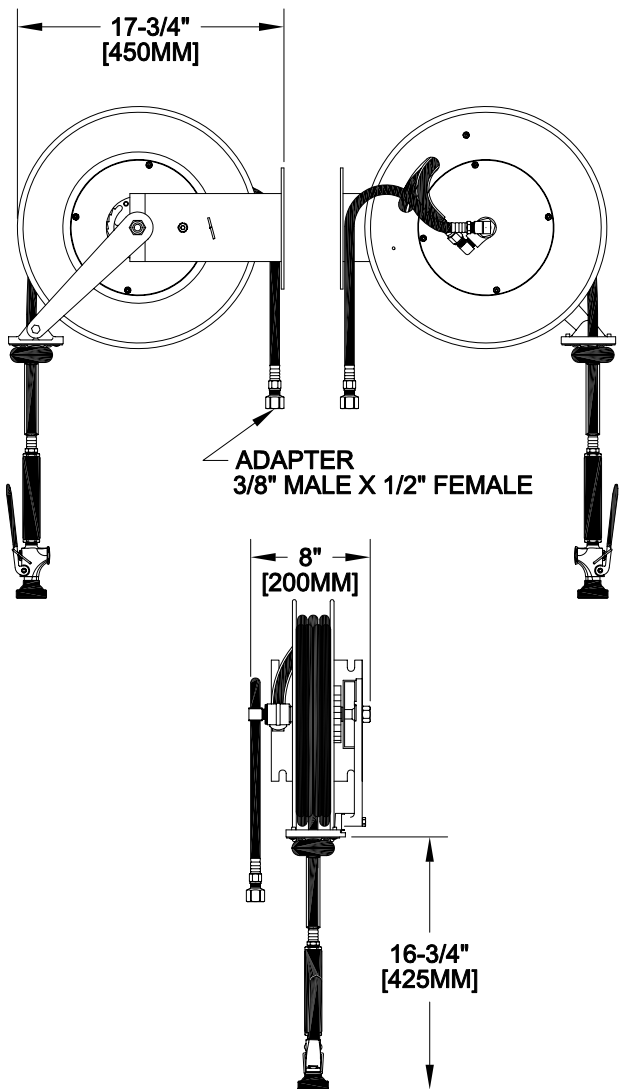
QUANTITY: ITEM NO.

PRODUCT NAME:
 EXPOSED REEL RINSE WALL
 MOUNTED WITH SPRAY VALVE

SPECIAL CONFIGURATION
 CHECK BASE MODEL AND OPTIONS

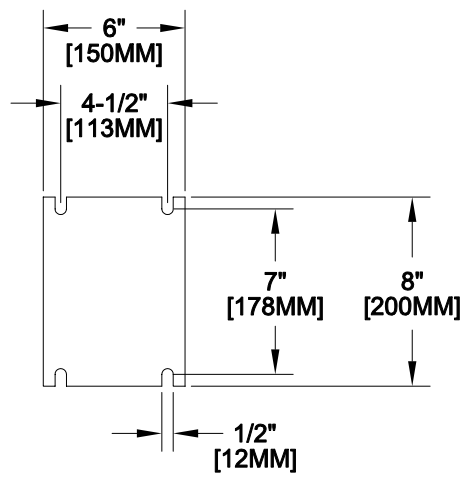
MODEL:
 2980

OPTIONS OR MODIFICATIONS:
 BRUSH
 OTHER _____



ADAPTER
 3/8" MALE X 1/2" FEMALE

ROUGH-IN: SEE MOUNTING PLATE BELOW



FEATURES

- REEL**
- * SELF-LOCKING
 - * EXPOSED HOSE
 - * 35' LENGTH REEL HOSE
 - * 19" LENGTH INLET HOSE
 - * 3 PLY FIBER REINFORCED RUBBER HOSE
 - * ADJUSTABLE BALL STOP
- PRO SPRAY VALVE**
- * NOZZLE THREADED INTO VALVE
 - * 2.65 GPM AT 80 PSI
 - * SHOWER SPRAY PATTERN

- SYSTEM LIMITS**
- * TEMP: 40°F MIN. TO 140°F MAX.
 - * PRESSURE: 200 PSI MAX. STATIC

- SHIPPING WEIGHT**
- * 34.0 LBS